

Festoon

User Manual

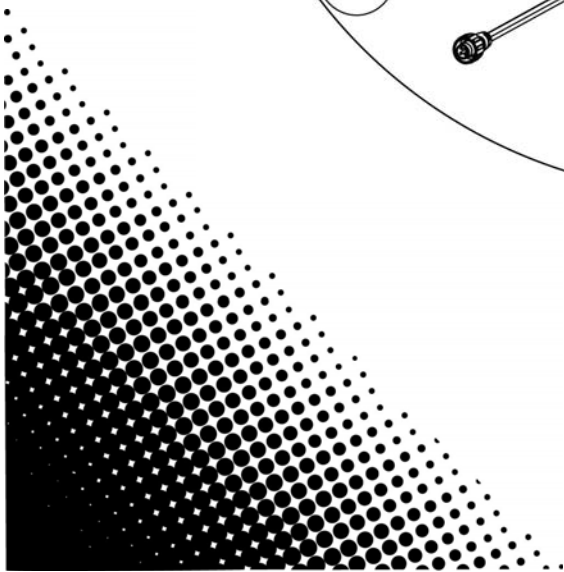
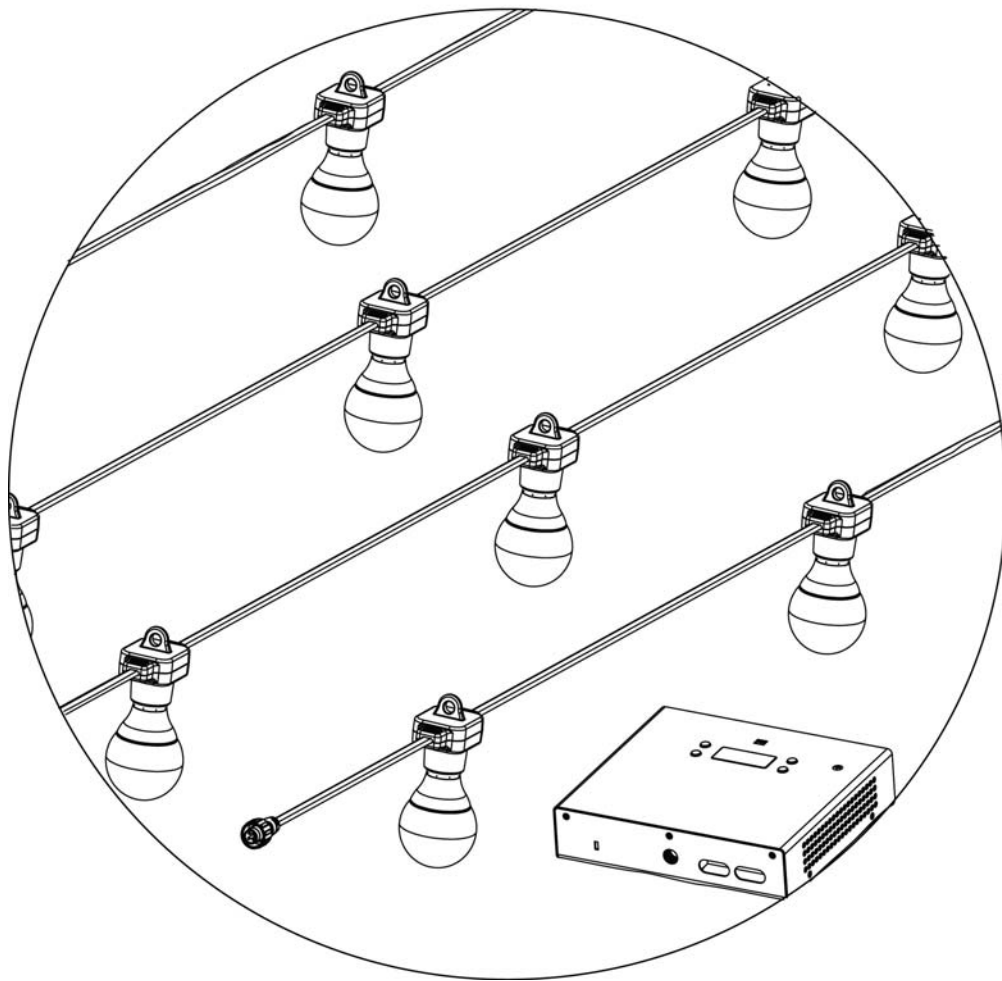


TABLE OF CONTENTS

1. Before You Begin	1
What Is Included	1
Unpacking Instructions.....	1
Claims	1
Text Conventions	1
Symbols	1
Disclaimer	1
Product at a Glance	2
Safety Notes.....	2
2. Introduction	3
Product Overview.....	3
Product Dimensions: String and Bulb	4
Product Dimensions: Controller	5
3. Setup	6
AC Power	6
Fuse Replacement.....	6
Power Linking.....	7
Mounting	8
Controller.....	8
Mounting	9
Festoon String / Extension String / Additional Festoon EXTs	9
4. Operation	10
Control Panel Operation.....	10
Menu Map	10
Configuration (DMX)	11
DMX Personality and Starting Address.....	11
Set # of Festoon Strings.....	11
DMX Channel Assignments and Values	12
Configuration (Standalone)	17
Set # of Festoon Strings.....	17
Static Colors.....	17
Automatic Programs.....	17
Sound Mode.....	17
Manual Color Mixing	18
Dimmer Programs.....	18
IRC-6 Infrared Remote Control	19
IRC-6 Operation	19
Master/Slave Mode	20
D-Fi USB Connectivity	20
5. Maintenance.....	21
Product Maintenance	21
6. Technical Specifications	22
7. Returns.....	23
7. Contact Us	24

1. BEFORE YOU BEGIN

What Is Included

- Festoon Controller
- Festoon String (15m)
- Extension String (5m)
- Power Cord
- Warranty Card
- Quick Reference Guide

Unpacking Instructions

Carefully unpack the product immediately and check the container to make sure all the parts are in the package and are in good condition.

Claims





If the box or the contents (the product and included accessories) appear damaged from shipping, or show signs of mishandling, notify the carrier immediately, not Chauvet. Failure to report damage to the carrier immediately may invalidate your claim. In addition, keep the box and contents for inspection.

For other issues, such as missing components or parts, damage not related to shipping, or concealed damage, file a claim with Chauvet within 7 days of delivery.

Text Conventions

CONVENTION	MEANING
1–512	A range of values
50/60	A set of values of which only one can be chosen
Settings	A menu option not to be modified
<ENTER>	A key to be pressed on the product's control panel
ON	A value to be entered or selected

Symbols

SYMBOL	MEANING
	Electrical warning. Not following these instructions may cause electrical damage to the product, accessories, or the user.
	Critical installation, configuration, or operation information. Not following these instructions may make the product not work, cause damage to the product, or cause harm to the operator.
	Important installation or configuration information. The product may not function correctly if this information is not used.
	Useful information.

Disclaimer

Chauvet believes that the information contained in this manual is accurate in all respects. However, Chauvet assumes no responsibility and specifically disclaims any and all liability to any party for any loss, damage or disruption caused by any errors or omissions in this document, whether such errors or omissions result from negligence, accident or any other cause. Chauvet reserves the right to revise the content of this document without any obligation to notify any person or company of such revision, however, Chauvet has no obligation to make, and does not commit to make, any such revisions. Download the latest version from www.chauvetdj.com.










The works of authorship contained in this manual, including, but not limited to, all design, text and images are owned by Chauvet.

© Copyright 2016 Chauvet & Sons, LLC. All rights reserved.

Electronically published by Chauvet in the United States of America.

CHAUVET, the Chauvet logo, and Festoon are registered trademarks or trademarks of Chauvet & Sons LLC. (d/b/a Chauvet and Chauvet Lighting) in the United States and other countries. Other company and product names and logos referred to herein may be trademarks of their respective companies.

Product at a Glance

Use on Dimmer		Auto Programs	
Outdoor Use		Auto-ranging Power Supply	
Sound-Active		Replaceable Fuse	
DMX		User-Serviceable	
Master/Slave			

Safety Notes



- Always connect the product to a grounded circuit to avoid the risk of electrocution.
- Always disconnect the product from the power source before cleaning or replacing the fuse.
- Avoid direct eye exposure to the light source while the product is on.
- Make sure the power cord is not crimped or damaged.
- Never disconnect the product from power cord by pulling or tugging on the cord.
- If mounting the product overhead, always secure to a fastening device using a safety cable.
- Make sure there are no flammable materials close to the product when operating.
- The bulbs can get hot with excessive use. Avoid touching them with bare hands, and always allow the bulb to cool before handling.
- This product is not intended for permanent installation.



- Always make sure that the voltage of the outlet to which you are connecting the product is within the range stated on the decal or rear panel of the product.
- The Festoon String is for indoor or temporary outdoor use (IP43). Do not expose to harsh or excessively corrosive environmental conditions (whether indoors or outdoors), including, but not limited to, extreme temperatures, humidity, atmospheric conditions (including salinity or pressure), radiation (UV, infrared or nuclear), shock and conditions which exceed the product's Ingress Protection (IP) rating.
- **ALWAYS terminate the open end of your string when being used outdoors or near moisture.**
- The Festoon Strings may be exposed to rain and moisture, as long as the bulbs hang at a 90° angle to the ground. The Festoon controller is not intended for outdoor use.
- The Festoon Controller is IP20 rated. Keep it away from water, solvents and chemicals. Take care to site it away from potential water hazards, for example, do not install it beneath pipes that are subject to condensation. Avoid installing it where excessive humidity and condensation may occur
- Always install the product in a location with adequate ventilation, at least 20 in (50 cm) from adjacent surfaces.
- Be sure that no ventilation slots on the product's housing are blocked.
- Never connect the product to a dimmer.
- Make sure to replace the fuse with another of the same type and rating.
- Never carry the product from the power cord or any moving part. Always use the hanging/mounting bracket.
- The maximum ambient temperature (Ta) is 104 °F (40 °C). Do not operate the product at higher temperatures.
- In the event of a serious operating problem, stop using the product immediately.
- Never try to repair the product. Repairs carried out by unskilled people can lead to damage or malfunction. Please contact the nearest authorized technical assistance center.
- To eliminate unnecessary wear and improve its lifespan, during periods of non-use completely disconnect the product from power via breaker or by unplugging it.

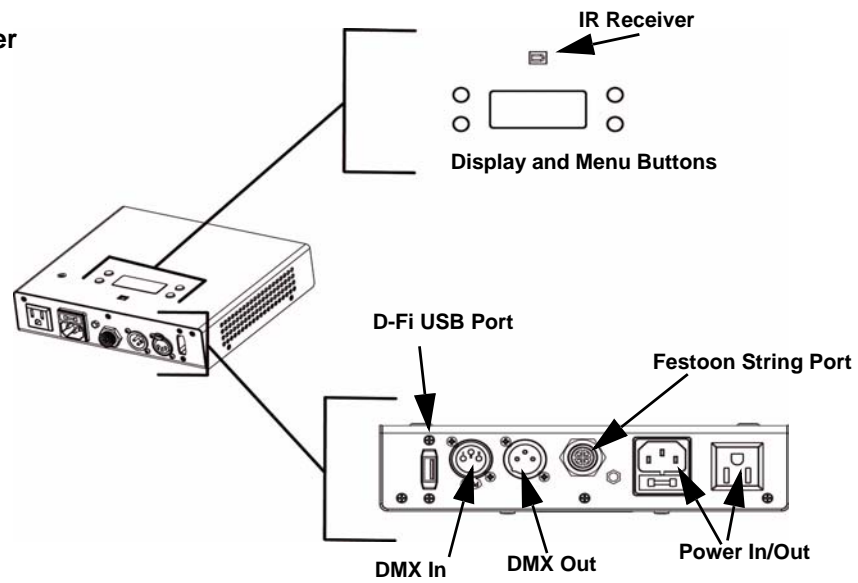


Keep this User Manual for future use. If you sell the product, be sure that they receive this document.

2. INTRODUCTION

Product Overview

Festoon Controller



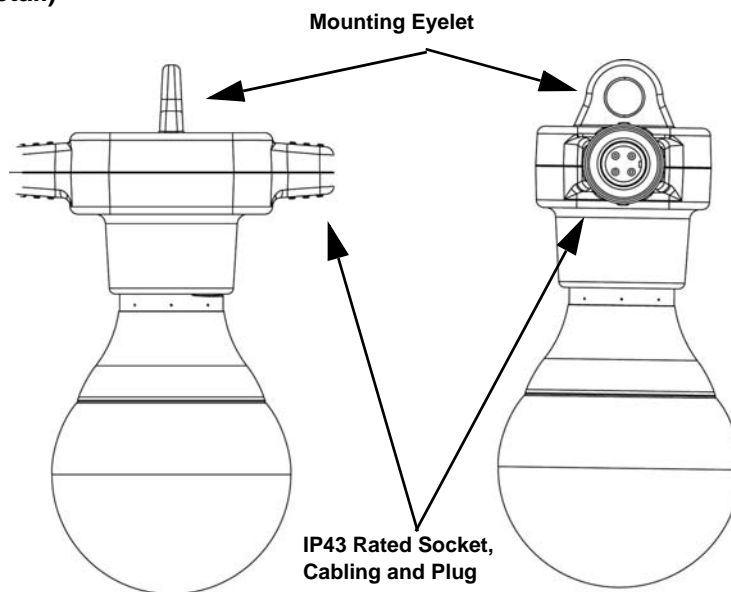
Extension String



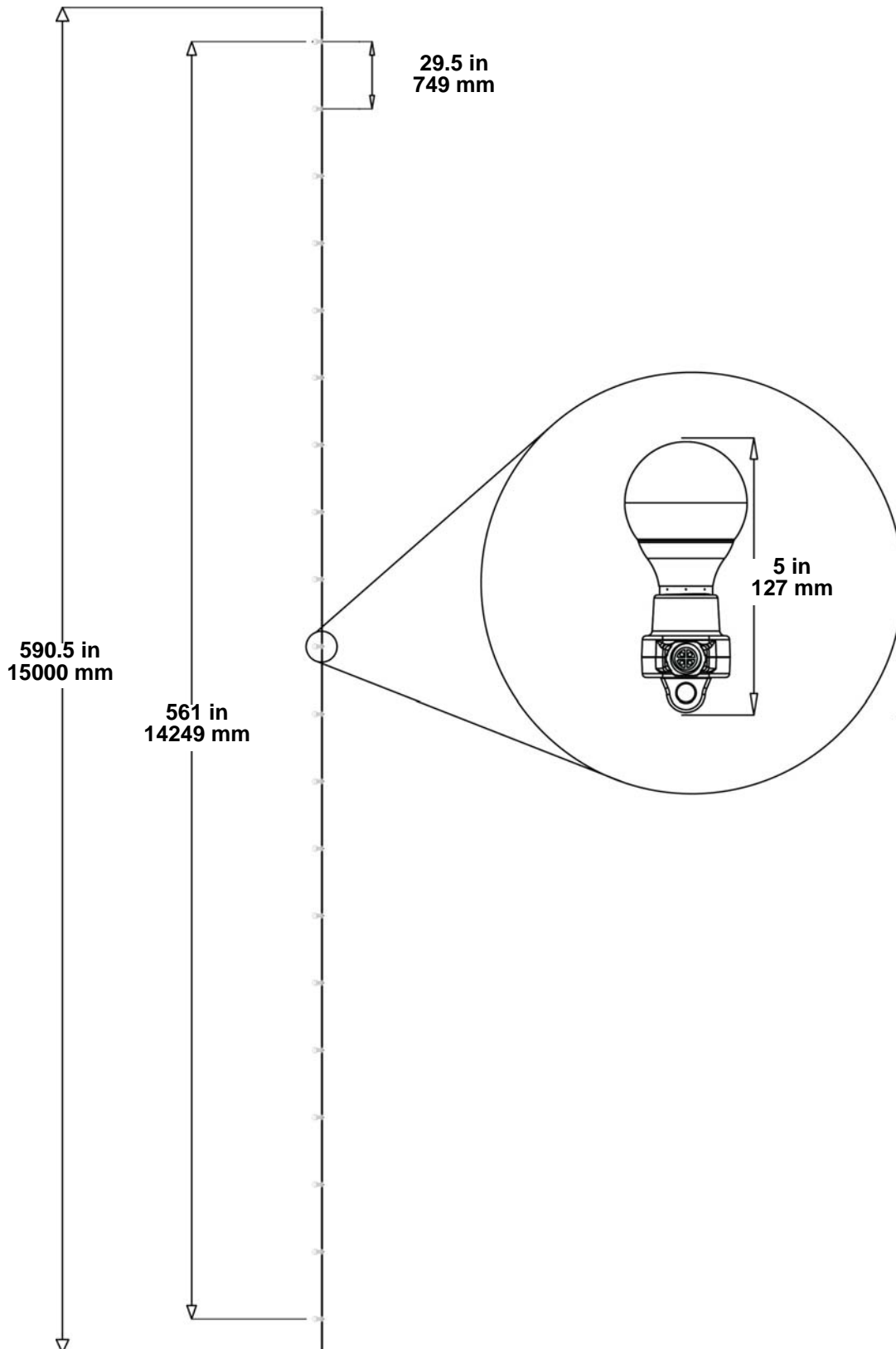
Festoon String of Bulbs



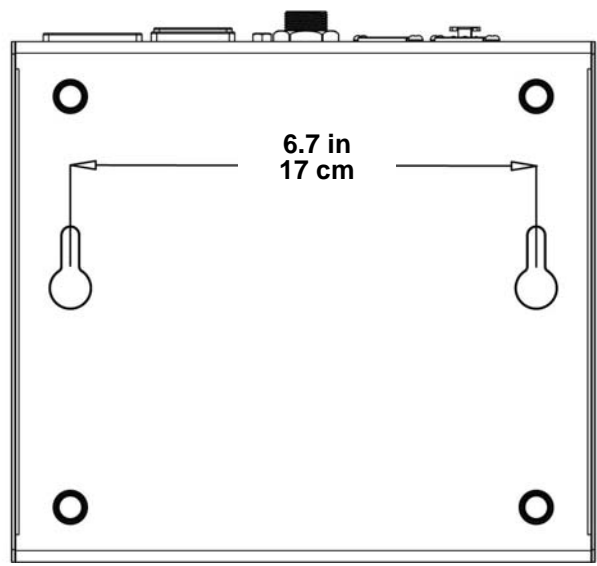
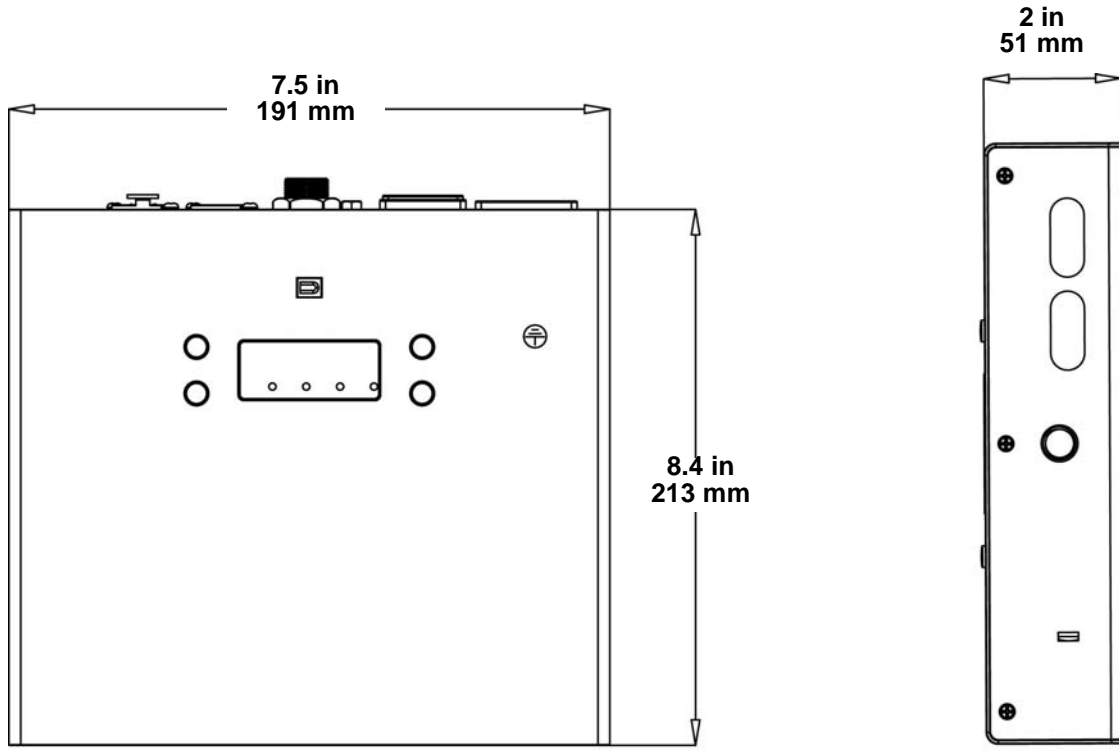
Festoon Bulb (in detail)



Product Dimensions: String and Bulb



Product Dimensions: Controller



3. SETUP

AC Power

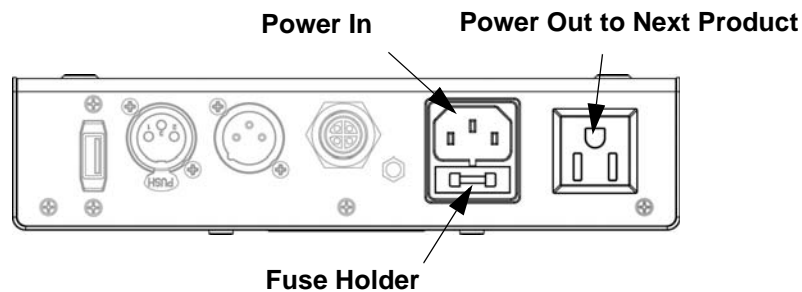
The Festoon controller has an auto-ranging power supply and it can work with an input voltage range of 100 to 240 VAC, 50/60 Hz. To determine the product's power requirements (circuit breaker, power outlet, and wiring), use the current value listed on the label affixed to the product's back panel, or refer to the product's specifications chart. The listed current rating indicates the product's average current draw under normal conditions.



- **Always connect the product to a protected circuit (circuit breaker or fuse). Make sure the product has an appropriate electrical ground to avoid the risk of electrocution or fire.**
- **To eliminate unnecessary wear and improve its lifespan, during periods of non-use completely disconnect the product from power via breaker or by unplugging it.**

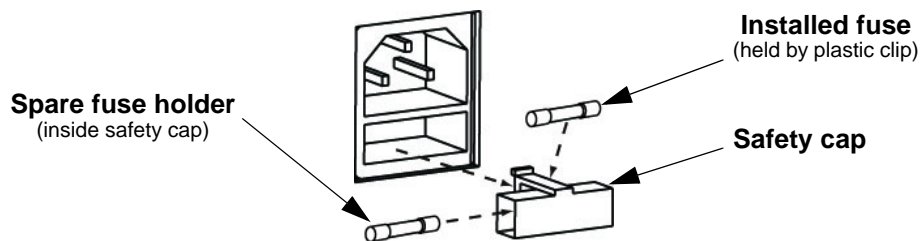


Never connect the product to a rheostat (variable resistor) or dimmer circuit, even if the rheostat or dimmer channel serves only as a 0 to 100% switch.



Fuse Replacement

1. Wedge the tip of a flat-head screwdriver into the slot of the fuse holder.
2. Pry the fuse holder out of the housing.
3. Remove the blown fuse from the holder and replace with a fuse of the exact same type and rating.
4. Insert the fuse holder back in place and reconnect power

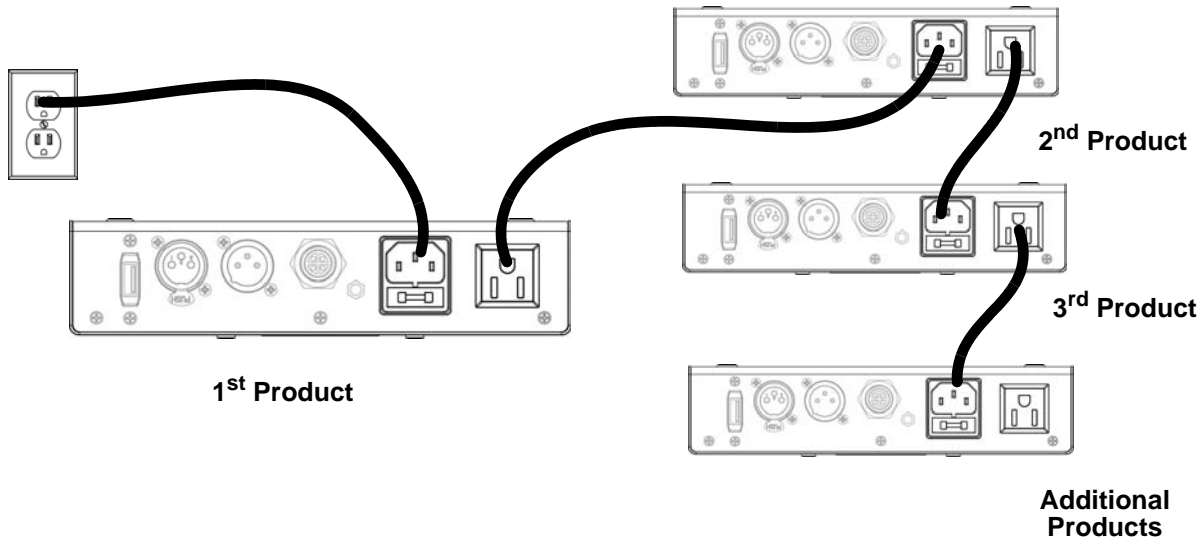


Disconnect the product from the power outlet before replacing the fuse.

Power Linking

The product provides power linking via the Edison outlet located in the back of the product. Please see the diagram below for further explanation.

Power Linking Diagram



Depending upon how many Festoon Strings you have connected, you can power link products. Use the chart below to configure your setup.



- 1 String - 13 products @ 120 V
24 products @ 230 V
- 2 Strings - 6 products @ 120 V
11 products @ 230 V
- 3 Strings - 3 products @ 120 V
7 products @ 230 V



The power linking diagram corresponds to the North American version of the product **ONLY!** If using the product in other markets, you must consult with the local Chauvet distributor as power linking connectors and requirements may differ in your country or region.

Mounting

Controller

Before mounting the product, read and follow the safety recommendations indicated in the [Safety Notes](#).



The Festoon Controller is IP20 rated. Keep it away from water, solvents and chemicals. Take care to site it away from potential water hazards, for example, avoid installing it where excessive humidity, water splatter or condensation may occur.

Orientation

The Festoon controller may be mounted in any position; however, make sure adequate ventilation is provided around the product.

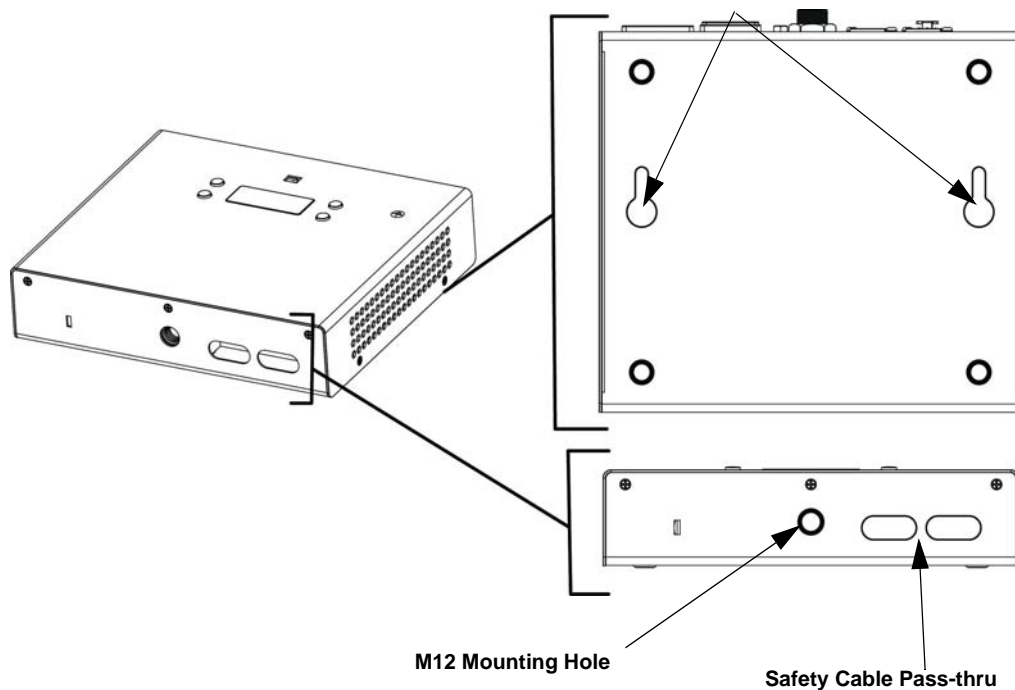
Rigging

- Before deciding on a location for the product, always make sure there is easy access to the product for maintenance and IRC or programming purposes.
- Make sure that the structure onto which you are mounting the product can support the product's weight. See the [Technical Specifications](#) for weight information.
- When mounting the product overhead, always use a safety cable. Mount the product securely to a rigging point, whether an elevated platform or a truss.
- When rigging the product onto a truss, use a mounting clamp of appropriate weight capacity.
- When power linking multiple products, mount the products close enough for power linking cables to reach.

Mounting Diagram

Festoon Controller

Rear Keyhole Mounting: Measure and drill two points 17 cm (6.7 in) apart. Use a level to ensure accuracy while mounting.



Mounting

Festoon String / Extension String / Additional Festoon EXTs

Before mounting the product, read and follow the safety recommendations indicated in the [Safety Notes](#).



Your Festoon string may be exposed to rain and moisture and comes with an IP rated cap meant to terminate the end of the festoon string. Retain this cap, and ALWAYS terminate the open end of your string when being used outdoors or near moisture.

Orientation

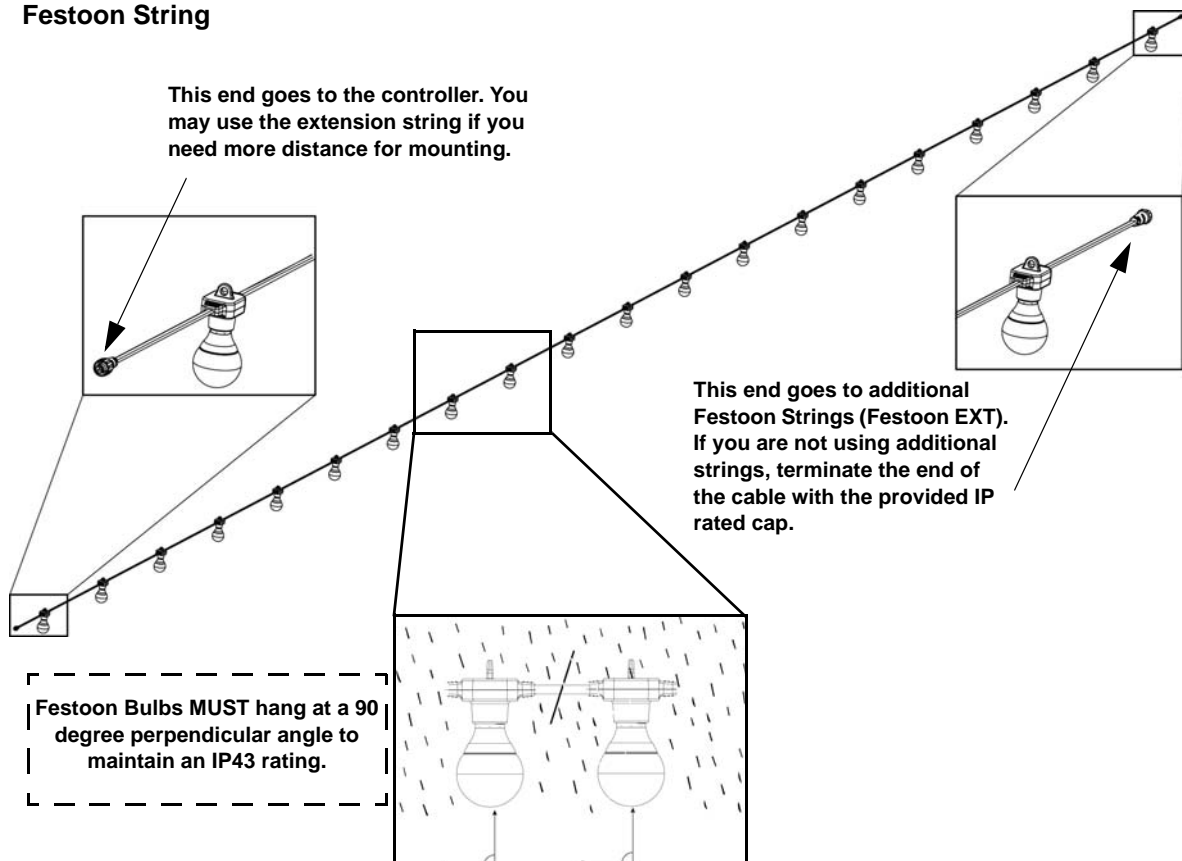
The Festoon String (and EXT's) may be installed using various ways to achieve stunning looks, but the bulbs **MUST** hang at a 90° perpendicular angle to the ground. This will prevent rain or moisture from collecting in the lamp holders.

Rigging

- Before deciding on a location for the product, always make sure there is adequate length/distance to the controller and other strings. Use the extension string if necessary.
- Make sure that the structure onto which you are mounting the product can support the product's weight. See the [Technical Specifications](#) for weight information.
- Use the built-in eyelets to hang the Festoon String and EXTs. The extension string may be hung with zip-ties or equivalent.
- To prevent line sagging, it is recommended to use every eyelet, or in open installation areas (such as outdoors) it is recommended to use a guy line fed through the eyelets to tighten slack.
- Use support poles as necessary. Chauvet recommends a support pole every 8 m. If the support poles are used as end or corner supports, they will need to be tied back.
- The height of the attachment point should be at least 8 feet (2.4 m), or higher when deemed necessary.

Mounting Diagram

Festoon String



4. OPERATION

Control Panel Operation

To access the control panel functions, use the four buttons located underneath the display. Please refer to the [Product Overview](#) to see the button locations on the control panel.

BUTTON	FUNCTION
<MENU>	Press to find an operation mode or to back out of the current menu option
<UP>	Press to scroll up the list of options or to find a higher value
<DOWN>	Press to scroll down the list of options or to find a lower value
<ENTER>	Press to activate a menu option or a selected value

Menu Map

MAIN LEVEL	PROGRAMMING LEVELS	DESCRIPTION
3-CH	d--1—d512	Selects DMX personality and DMX starting value **This personality adjusts according to the setting of Led (1, 2, or 3 strands)
9-CH		
60CH**		
C--	C--1—C 19	Selects 1 of 19 static colors
P--	P--1—P 38	Selects 1 of 38 auto program
S--	S--1—S100	Sets auto program speed (slow to fast)
	Snd	Selects sound mode
SeNS	u--1—u100	Adjust the sensitivity of sound mode
U--	r--0—r255	Red (0-100%)
	g--0—g255	Green (0-100%)
	b--0—g255	Blue (0-100%)
dIM	OFF	Sets the dimming curve: OFF
	dIM1	Fast speed dimming
	dIM2	Mid speed dimming
	dIM3	Slow speed dimming
SEr	OFF	Turns on or off IR (remote) control
	On	
Led	Led1	Singular Festoon EXT strand (60CH DMX personality)
	Led2	2 Festoon EXT strands (120CH DMX personality)
	Led3	3 Festoon EXT Strands (180CH DMX personality)



Each Festoon controller can control up to 3 Festoon EXT strings. Additional controllers will need to be purchased for larger displays.

Configuration (DMX)

The Festoon works with a DMX controller. If you are not familiar with the DMX protocol, information about DMX is in the CHAUVET DMX Primer. Download the DMX Primer from www.chauvetdj.com.

DMX Personality and Starting Address

When selecting a starting DMX address, always consider the number of DMX channels the selected DMX mode uses. If you choose a starting address that is too high, you could restrict the access to some of the product's channels.

To ensure full access to the channels available in DMX mode, the highest recommended DMX address is

- 3-CH Mode - **510**
- 9-CH Mode - **504**
- 60CH (1 string) / 120CH (2 strings) / 180CH (3 strings) Mode - **453 / 393 / 333**

To select the starting address, do the following:

1. Press **<MENU>** repeatedly until **3CH**, **9CH** or **60CH*** shows on the display.
2. Press **<ENTER>** and **d 1** will show on the display.
3. Use **<UP>** or **<DOWN>** to select the starting address.
4. Press **<ENTER>**.

***60CH may also appear as 120CH or 180CH, depending upon how many strings you have attached.**

Set # of Festoon Strings

The Festoon controller can control up to 3 Festoon (EXT) strings. Follow the directions below to setup your Festoon:

1. Press **<MENU>** repeatedly until **Led** shows on the display.
2. Press **<ENTER>**.
3. Use **<UP>** or **<DOWN>** to select either **Led1**, **Led2** or **Led3**.
4. Press **<ENTER>**.



Your Festoon string comes with an IP rated cap meant to terminate the end of the festoon string. Retain this cap, and ALWAYS terminate the open end of your string when being used outdoors or near moisture.

DMX Channel Assignments and Values

3CH

CH	FUNCTION	VALUE	PERCENT/SETTING
1	Red	000 ⇔ 255	0-100%
2	Green	000 ⇔ 255	0-100%
3	Blue	000 ⇔ 255	0-100%

9CH

CH	FUNCTION	VALUE	PERCENT/SETTING
1	Dimmer	000 ⇔ 255	0-100%
2	Red	000 ⇔ 255	0-100%
3	Green	000 ⇔ 255	0-100%
4	Blue	000 ⇔ 255	0-100%
5	Color Macro	000 ⇔ 010	No function
		011 ⇔ 255	Color Macros
6	Strobe	000 ⇔ 010	No Function
		011 ⇔ 255	Strobe Speed, slow to fast

CH	FUNCTION	VALUE	PERCENT/SETTING
7	Auto & Sound Programs	000 ⇔ 010	No Function
		011 ⇔ 016	Auto Program 1
		017 ⇔ 022	Auto Program 2
		023 ⇔ 028	Auto Program 3
		029 ⇔ 034	Auto Program 4
		035 ⇔ 040	Auto Program 5
		041 ⇔ 046	Auto Program 6
		047 ⇔ 052	Auto Program 7
		053 ⇔ 058	Auto Program 8
		059 ⇔ 064	Auto Program 9
		065 ⇔ 070	Auto Program 10
		071 ⇔ 076	Auto Program 11
		077 ⇔ 082	Auto Program 12
		083 ⇔ 088	Auto Program 13
		089 ⇔ 094	Auto Program 14
		095 ⇔ 100	Auto Program 15
		101 ⇔ 106	Auto Program 16
		107 ⇔ 112	Auto Program 17
		113 ⇔ 118	Auto Program 18
		119 ⇔ 124	Auto Program 19
		125 ⇔ 130	Auto Program 20
		131 ⇔ 136	Auto Program 21
		137 ⇔ 142	Auto Program 22
		143 ⇔ 148	Auto Program 23
		149 ⇔ 154	Auto Program 24
		155 ⇔ 160	Auto Program 25
		161 ⇔ 166	Auto Program 26
		167 ⇔ 172	Auto Program 27
		173 ⇔ 178	Auto Program 28
		179 ⇔ 184	Auto Program 29
		185 ⇔ 190	Auto Program 30
		191 ⇔ 196	Auto Program 31
		197 ⇔ 202	Auto Program 32
		203 ⇔ 208	Auto Program 33
209 ⇔ 214	Auto Program 34		
215 ⇔ 220	Auto Program 35 (Programs 1-8: Loop)		
221 ⇔ 226	Auto Program 36 (Programs 9-15: Loop)		
227 ⇔ 232	Auto Program 37(Programs 16-26: Loop)		
233 ⇔ 238	Auto Program 38 (Programs 35-37: Loop)		
239 ⇔ 255	Sound Active Program		

CH	FUNCTION	VALUE	PERCENT/SETTING
8	Program Speed	000 ⇔ 255	Speed Adjustment: CH7 , Slow to Fast
	Sound Sensitivity (when CH7 is between 239-255)	000 ⇔ 010	Sound Sensitivity OFF
		011 ⇔ 255	Adjust the sensitivity level
9	Dimmer Speed Mode	000 ⇔ 051	Dimmer Speed set by Display Menu
		052 ⇔ 101	Dimmer Speed Mode OFF
		102 ⇔ 152	Dimmer Speed Mode 1 (fast)
		153 ⇔ 203	Dimmer Speed Mode 2 (medium)
		204 ⇔ 255	Dimmer Speed Mode 3 (slow)

Pixel Mapping Personalities

DMX pixel mapping personalities assign individual DMX control to each bulb in the Festoon string/s.

The pixel mapping personality to use depends on the number of Festoon EXT strings you have connected. To put the Festoon into a pixel mapping personality simply select one of the following DMX personalities.

- 1 String uses the **60CH** personality
- 2 Strings use the **120CH** personality
- 3 Strings use the **180CH** personality

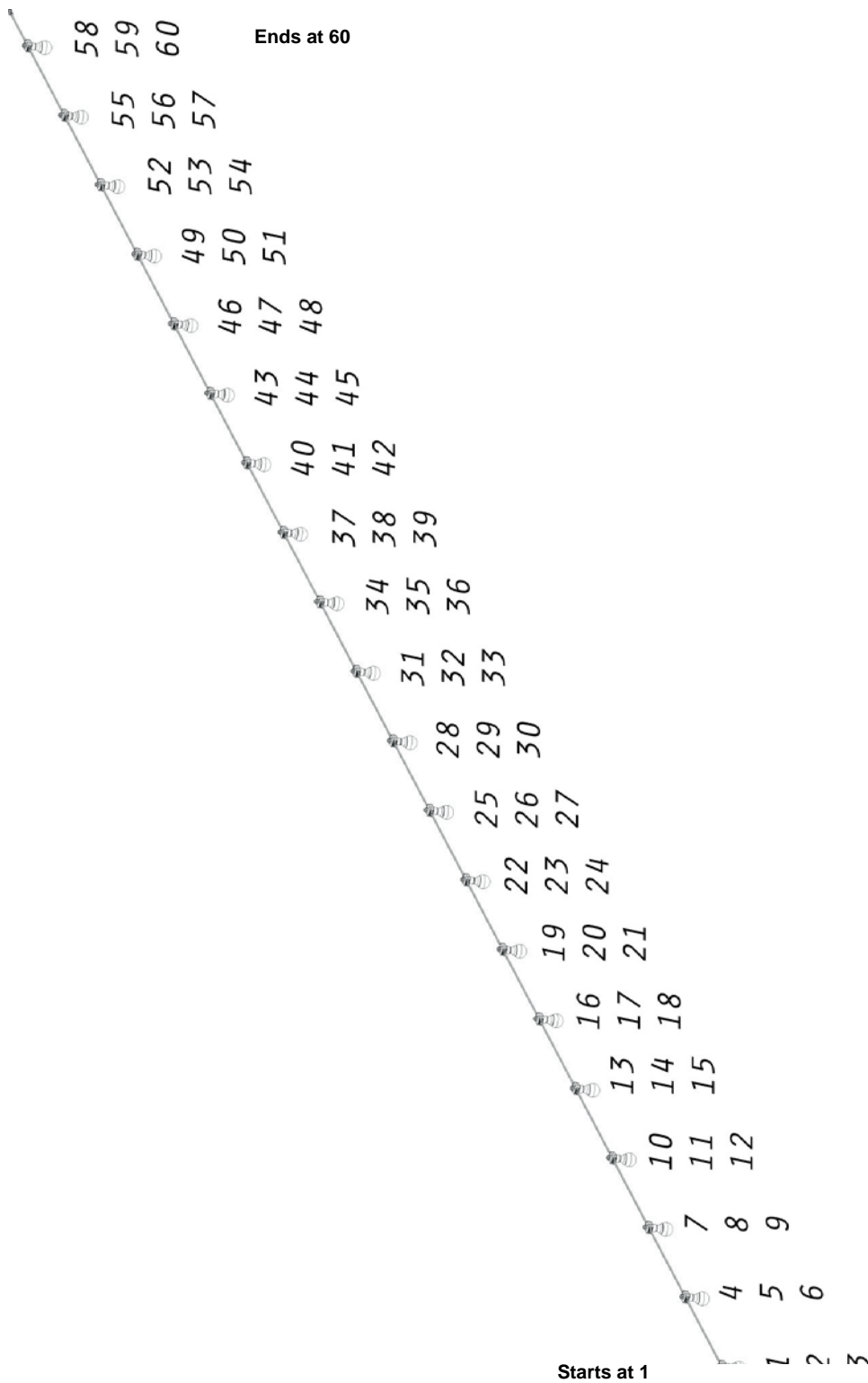
For example, if there are 1 festoon string and 1 festoon EXT string connected, the **Led** setting in the menu must be **Led2** for the **120CH** personality to be selected.

The extension cable does not affect DMX personalities or channels.

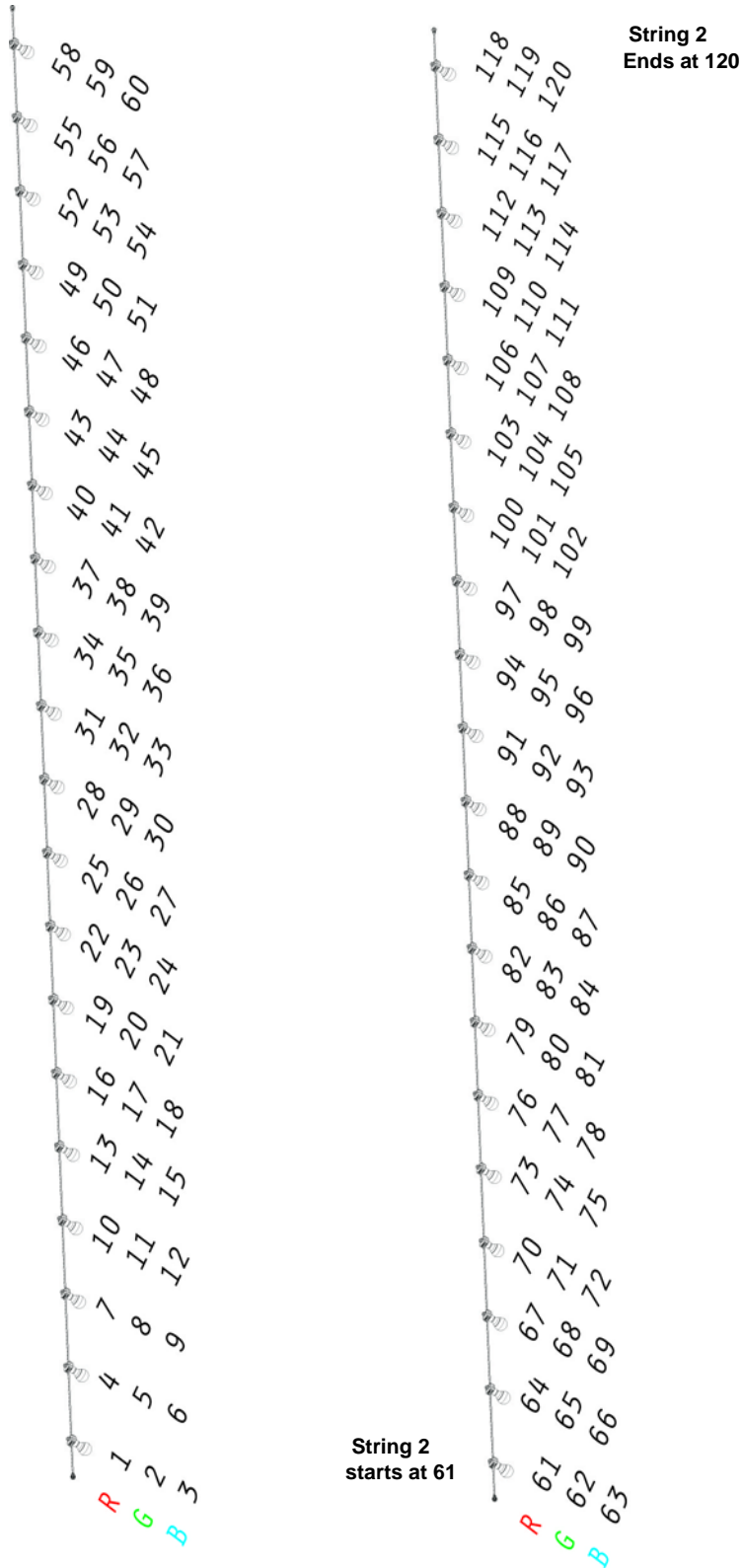
60 / 120 / 180 CHANNEL	FUNCTION	VALUE	PERCENT/SETTING
1	Red	000 ⇔ 255	0-100%
2	Green	000 ⇔ 255	0-100%
3	Blue	000 ⇔ 255	0-100%
...
180	Blue	000 ⇔ 255	0-100%

OPERATION

Example Layout: 60CH Mode - 1 String



Example Layout: 120CH Mode - 2 String



Configuration (Standalone)

Set the product in one of the standalone modes to control without a DMX controller.



Never connect a product that is operating in any standalone mode to a DMX string connected to a DMX controller. Products in standalone mode may transmit DMX signals that could interfere with the DMX signals from the controller.

Set # of Festoon Strings

The Festoon controller can control up to 3 Festoon (EXT) strings. Follow the directions below to setup your Festoon:

1. Press **<MENU>** repeatedly until **Led** shows on the display.
2. Press **<ENTER>**.
3. Use **<UP>** or **<DOWN>** to select either **Led1**, **Led2** or **Led3**.
4. Press **<ENTER>** to confirm.

Static Colors

To select a static color for the Festoon, follow the instructions below:

1. Press **<MENU>** repeatedly until **C-** shows on the display.
2. Press **<ENTER>**.
3. Use **<UP>** or **<DOWN>** to choose a static color (**C--1 _ C-19**).
4. Press **<ENTER>** to confirm.

Automatic Programs

To run the Festoon in automatic mode, follow the instructions below:

1. Press **<MENU>** repeatedly until **P--** shows on the display.
2. Press **<ENTER>**.
3. Use **<UP>** or **<DOWN>** to select from the 38 auto programs (**P-1_P-38**).
4. Press **<ENTER>** to make your selection.

Speed Control of Automatic Programs

To change the speed of an automatic program, follow the instructions below:

1. Press **<MENU>** repeatedly until **S--** shows on the display.
2. Press **<ENTER>**.
3. Use **<UP>** or **<DOWN>** to adjust the speed from slow to fast (**S--1_S100**).
4. Press **<ENTER>** to confirm.

Sound Mode

To run the Festoon in sound-activated mode, follow the instructions below:

1. Press **<MENU>** repeatedly until **Snd** shows on the display.
2. Press **<ENTER>** to confirm.

Sound Sensitivity Adjustment for Sound Mode

To lower or heighten the sensitivity of the sound mode microphone, follow the instructions below:

1. Press **<MENU>** repeatedly until **SeNS** shows on the display.
2. Press **<ENTER>**.
3. Use **<UP>** or **<DOWN>** to adjust the sensitivity from low to high (**u--1_u100**).
4. Press **<ENTER>**.

Manual Color Mixing

To manually adjust a static color, follow the instructions below:

1. Press **<MENU>** repeatedly until **U--** shows on the display.
2. Press **<ENTER>**, **r**** should appear on the display.
3. Use **<UP>** or **<DOWN>** to adjust the red balance 0-100% (**r--0_r255**).
4. Press **<ENTER>**, **g**** should appear on the display.
5. Use **<UP>** or **<DOWN>** to adjust the green balance 0-100% (**g--0_g255**).
6. Press **<ENTER>**, **b**** should appear on the display.
7. Use **<UP>** or **<DOWN>** to adjust the blue balance 0-100% (**b--0_b255**).
8. Press **<ENTER>** to confirm all of your changes.

****The menu setting for r, g, or b will show the value last confirmed. Default is 255.**

Dimmer Programs

To turn off the dimming, or change the dimming speed, follow the instructions below:

1. Press **<MENU>** repeatedly until **dIM** shows on the display.
2. Press **<ENTER>**.
3. Use **<UP>** or **<DOWN>** to select either **OFF**, **dIM1**, **dIM2** or **dIM3**.
4. Press **<ENTER>** to confirm.



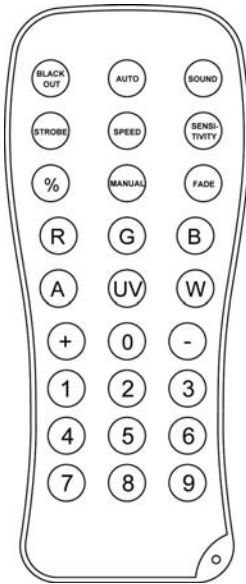
Your Festoon string comes with an IP rated cap meant to terminate the end of the festoon string. Retain this cap, and ALWAYS terminate the open end of your string when being used outdoors or near moisture.

IRC-6 Infrared Remote Control

The Festoon is compatible with the IRC-6 infrared remote control from Chauvet DJ. To activate IR mode, follow the instructions below:

1. Press **<MENU>** repeatedly until **SEr** shows on the display.
2. Press **<ENTER>**.
3. Press **<UP>** or **<DOWN>** to select **On** or **OFF**.
4. Press **<ENTER>** to confirm.

IRC-6 Operation



Automatic Mode

Automatic mode will enable you to run the automatic programs on the product.

To turn on Automatic mode:

1. Press **<AUTO>** on the IRC-6.
2. Press **<+>** or **<->** to choose between the different auto programs

To adjust the speed of the automatic program:

1. Press **<SPEED>** on the IRC-6.
2. Press **<+>** or **<->** to increase or decrease the speed of the program.

Sound-Active Mode

Sound-Active mode will enable the product to respond to the music.

To turn on Sound-Active mode:

1. Press **<SOUND>** on the IRC-6.

To adjust sound sensitivity in Sound-Active mode:

1. Press **<SENSITIVITY>** on the IRC-6.
2. Press **<+>** or **<->** to increase or decrease the sound sensitivity.

Manual Color Control

To choose a specific color with the IRC-6:

1. Press **<MANUAL>** on the IRC-6.
2. Press any number between **<0>**-**<9>** to choose your color, or Press **<R>** (red), **<G>** (green), or **** (blue), to choose your color.

To manually control the RGB percentage:

1. Press **<MANUAL>** on the IRC-6.
2. Press **<R>** (red), **<G>** (green), or **** (blue), to choose your color.
3. Press **<+>** or **<->** to increase or decrease the percentage of each color.

<A> (amber), **<UV>**/**<P>** (UV), and **<W>** (white) will not function with this product.

Miscellaneous Operation

To adjust the total output level:

1. Press **<%>** on the IRC-6.
2. Press **<+>** or **<->** to increase or decrease the output level.

To adjust the strobe rate of the program:

1. Press **<STROBE>** on the IRC-6.
2. Press **<+>** or **<->** to increase or decrease the strobe rate.
3. Press **<STROBE>** again to turn off the strobe.

To select only fading programs:

1. Press **<FADE>** on the IRC-6.

To black out the lights:

1. Press **<BLACK OUT>** on the IRC-6.

This will turn off all the lights until the button is pressed again.

NOTE: The IRC-6 will not respond to any inputs when Black Out is activated. If the remote does not respond when a button is pressed, try pressing **<BLACK OUT>**. You may have inadvertently activated Black Out.

Master/Slave Mode

The Master/Slave mode allows a single Festoon product (the “master”) to control the actions of one or more Festoon products (the “slaves”) without the need of a DMX controller. The master product will be set to operate in either Stand-Alone mode or with the IRC-6, while the slave products will be set to operate in Slave mode. Once set and connected, the slave products will operate in unison with the master product. Configure the products as indicated below.

Slave products:

1. Press **<MENU>** repeatedly until **3-CH, 9-CH, 60CH**** shows on the display.
2. Press **<ENTER>** to accept.
3. Set the DMX address to **d 1**.
4. Connect the DMX input of the first slave product to the DMX output of the master product.
5. Connect the DMX input of the subsequent slave products to the DMX output of the previous slave product.
6. Finish setting and connecting all the slave products.

Master product:

1. Set the master product to operate in **C--** or **P--** (or turn the IRC setting to **ON**).
2. Make the master product the first product in the DMX daisy chain.

****The menu setting of 60CH may also appear as 120CH or 180CH, depending upon how many strings you have attached.**



- **Configure all the slave products before connecting the master to the daisy chain.**
- **Never connect a DMX controller to a DMX string configured for Master/Slave operation because the controller may interfere with the signals from the master.**
- **Do not connect more than 31 slaves to the master.**

D-Fi USB Connectivity

The Festoon is able to become a D-Fi wireless receiver/transmitter with the use of the D-Fi USB from Chauvet DJ. Simply set the product's DMX Personality and DMX Address, set the DIP switch D-Fi receiving/transmitting channel, then plug it into the D-Fi USB port.

You will need two (2) D-Fi USB in order to use the Festoon wirelessly with another Festoon, one to transmit and one to receive.

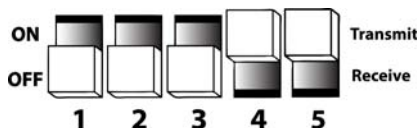
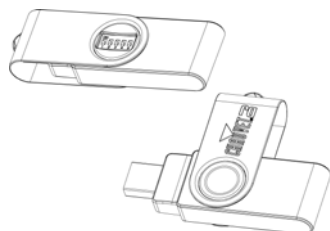


WARNING! DO NOT plug anything other than a D-Fi USB into the USB port. Doing so may cause damage to the product.

Before plugging in the D-Fi USB, set the DMX Personality and DMX address on your product. Then do the following:

1. Set **BOTH**:
 - the Channel (1-16), and then
 - the Receiving or Transmitting option.

NOTE: DIP Switch 5 is for Transmitting OR Receiving, please choose carefully.



Visit www.chauvetdj.com to use our DIP Switch Calculator!

5. MAINTENANCE

Product Maintenance

Dust build-up reduces light output performance and can cause overheating. This can lead to reduction of the light source's life and/or mechanical wear. To maintain optimum performance and minimize wear, clean your lighting products at least twice a month. However, be aware that usage and environmental conditions could be contributing factors to increase the cleaning frequency.

To clean the product, follow the instructions below:

1. Unplug the product from power.
2. Wait until the product is at room temperature.
3. Use a vacuum (or dry compressed air) and a soft brush to remove dust collected on the external surface/vents.
4. Clean all transparent surfaces with a mild soap solution, ammonia-free glass cleaner, or isopropyl alcohol.
5. Apply the solution directly to a soft, lint free cotton cloth or a lens cleaning tissue.
6. Softly drag any dirt or grime to the outside of the transparent surface.
7. Gently polish the transparent surfaces until they are free of haze and lint.



Always dry the transparent surfaces carefully after cleaning them.

6. TECHNICAL SPECIFICATIONS

Dimensions and Weight: Controller

LENGTH	WIDTH	HEIGHT	WEIGHT
7.5 in (191 mm)	8.4 in (213 mm)	2 in (51 mm)	10.4 lb (4.8 kg)

Note: Dimensions in inches rounded to the nearest decimal digit.

Power

POWER SUPPLY TYPE	RANGE	VOLTAGE SELECTION
Switching (internal)	100 to 240 VAC, 50/60 Hz	Auto-ranging

PARAMETER	120 V, 60 Hz	230 V, 50 Hz
Operating Current and Consumption (20 bulbs)	40 W, 0.6 A	40 W, 0.3 A
Operating Current and Consumption (40 bulbs)	86 W, 1.3 A	85 W, 0.7 A
Operating Current and Consumption (60 bulbs)	142 W, 2 A	141 W, 1.1 A
Power linking current (20 bulbs)	8 A (13 products)	8 A (24 products)
Power linking current (40 bulbs)	8 A (6 products)	8 A (11 products)
Power linking current (60 bulbs)	8 A (3 products)	8 A (7 products)
Fuse	T2 A, 250 V	T2 A, 250 V

POWER I/O	U.S./WORLDWIDE	UK/EUROPE
Power input connector	IEC	IEC
Power output connector	Edison	IEC
Power Cord plug	Edison (U.S.)	Local Plug

Light Source

TYPE	POWER	LIFESPAN
SMD LED	0.1 W	50,000 hours

COLOR	QUANTITY	CURRENT
tri-color RGB	6/bulb	50 mA

Photometrics

PARAMETER	VALUE
Strobe Rate	0 to 16.6 Hz
Coverage Angle	360°

Thermal

MAXIMUM EXTERNAL TEMPERATURE	COOLING SYSTEM	IP RATING
104 °F (40 °C)	Convection	IP43

DMX

I/O CONNECTOR	CHANNEL RANGE
3-pin XLR	3, 9, or 60/120/180

Ordering

PRODUCT NAME	ITEM CODE	UPC NUMBER
Festoon	03091197	781462215453



RETURNS

In case you need to get support or return a product:

- If you are located in the U.S., contact Chauvet World Headquarters.
- If you are located in the UK or Ireland, contact Chauvet Europe Ltd.
- If you are located in Mexico, contact Chauvet Mexico.
- If you are located in Benelux, contact Chauvet Europe BVBA.
- If you are located in any other country, DO NOT contact Chauvet. Instead, contact your local distributor. See www.chauvetdj.com for distributors outside the U.S., UK, Ireland, Mexico, or Benelux.



If you are located outside the U.S., UK, Ireland, Mexico, or Benelux, contact your distributor of record and follow their instructions on how to return Chauvet products to them. Visit our website www.chauvetdj.com for contact details.

Call the corresponding Chauvet Technical Support office and request a Return Merchandise Authorization (RMA) number before shipping the product. Be prepared to provide the model number, serial number, and a brief description of the cause for the return.

Send the merchandise prepaid, in its original box, and with its original packing and accessories. Chauvet will not issue call tags.

Clearly label the package with the RMA number. Chauvet will refuse any product returned without an RMA number.



Write the RMA number on a properly affixed label. DO NOT write the RMA number directly on the box.

Before sending the product, clearly write the following information on a piece of paper and place it inside the box:

- Your name
- Your address
- Your phone number
- RMA number
- A brief description of the problem

Be sure to pack the product properly. Any shipping damage resulting from inadequate packaging will be your responsibility. FedEx packing or double-boxing are recommended.



Chauvet reserves the right to use its own discretion to repair or replace returned product(s).

CONTACT US

World Headquarters	
General Information	Technical Support
Address: 5200 NW 108th Ave. Sunrise, FL 33351 Voice: (954) 577-4455 Fax: (954) 929-5560 Toll Free: (800) 762-1084	Voice: (954) 577-4455 (Press 4) Fax: (954) 756-8015 Email: tech@chauvetlighting.com
	Website
	www.chauvetlighting.com
EUROPE	
General Information	Technical Support
Address: Stokstraat 18 9770 Kruishoutem Belgium Voice: +32 9 388 93 97	Email: eutech@chauvetlighting.eu
	Website
	www.chauvetlighting.eu
General Information	
General Information	Technical Support
Address: Unit 1C Brookhill Road Industrial Estate Pinxton, Nottingham, UK NG16 6NT Voice: +44 (0) 1773 511115 Fax: +44 (0) 1773 511110	Email: uktech@chauvetlighting.com
	Website
	www.chauvetlighting.co.uk
MEXICO	
General Information	Technical Support
Address: Av. Santa Ana 30 Lerma, Mexico C.P. 52000 Voice: +52 (728) 285-5000	Email: servicio@chauvet.com.mx
	Website
	www.chauvet.com.mx

Outside the U.S., United Kingdom, Ireland, Mexico or Benelux, contact the dealer of record. Follow the instructions to request support or to return a product. Visit our website for contact details.