



 STARVILLE

Blinder 4-Lite blinder

Musikhaus Thomann e.K.

Treppendorf 30

96138 Burgebrach

Germany

Telephone: +49 (0) 9546 9223-0

E-mail: info@thomann.de

Internet: www.thomann.de

18.12.2012

Table of contents

1	General notes.....	4
2	Safety instructions.....	7
3	Features.....	12
4	Installation.....	13
5	Wiring.....	15
6	Starting up.....	17
7	Connections and operating elements.....	18
8	Cleaning.....	22
9	Technical specifications.....	23
10	Protecting the environment.....	24


1 General notes




This user manual contains important information on safe operation of the device. Read and follow all safety notes and all instructions. Save this manual for future reference. Make sure that it is available to all persons using this device. If you sell the device, include the manual for the next owner.

Our products are subject to a process of continuous development. We therefore reserve the right to make changes without notice.

Symbols and signal words

This section provides an overview of the symbols and signal words used in this user manual.

Signal word	Meaning
DANGER!	This combination of symbol and signal word indicates an immediate dangerous situation that will result in death or serious injury if it is not avoided.
WARNING!	This combination of symbol and signal word indicates a possible dangerous situation that can result in death or serious injury if it is not avoided.
NOTICE!	This combination of symbol and signal word indicates a possible dangerous situation that can result in material and environmental damage if it is not avoided.
Warning signs	Type of danger
	Warning – high-voltage.

Warning signs	Type of danger
 A yellow triangular warning sign with a black border and three wavy lines representing heat.	Warning – hot surface.
 A yellow triangular warning sign with a black border and a black silhouette of a person standing next to a suspended load.	Warning – suspended load.
 A yellow triangular warning sign with a black border and a black exclamation mark.	Warning – danger zone.

2 Safety instructions

Intended use

This device is intended to be used as an illumination effect. Use the device only as described in this user manual. Any other use or use under other operating conditions is considered to be improper and may result in personal injury or property damage. No liability will be assumed for damages resulting from improper use.

This device may be used only by persons with sufficient physical, sensorial, and intellectual abilities and having corresponding knowledge and experience. Other persons may use this device only if they are supervised or instructed by a person who is responsible for their safety.

Safety



DANGER!

Risk of electrical shock

The wiring and replacement of the lamps, and all maintenance and repair work on the electrical installation of the device may only be carried out by qualified electricians. Failure to do so may result in electric shock and risk of fire and death.

Before starting work on the electrical installation, the device must be unplugged from the power grid.



DANGER!

Electric shock caused by high voltages inside

Within the device there are areas where high voltages may be present. Never remove any covers.

There are no user-serviceable parts inside.



DANGER!

Danger for children

Ensure that plastic bags, packaging, etc. are disposed of properly and are not within reach of babies and young children. Choking hazard!

Ensure that children do not detach any small parts (e.g. knobs or the like) from the unit. They could swallow the pieces and choke!

Never let children unattended use electrical devices.



WARNING!

Eye damage caused by high light intensity

Never look directly into the light source.



WARNING!

Risk of burns

The surface of the device can become very hot during operation.

Do not touch the device with bare hands during operation, and after switching off wait for at least 15 minutes.



NOTICE!

Risk of overheating

The distance between the light output and the illuminated surface must be more than 0.5 m (19.7 in).

Always ensure sufficient ventilation.

The ambient temperature must always be below 40 °C (104 °F).



NOTICE!

Risk of fire

Do not cover the device nor any ventilation slots. Do not place the device near any direct heat source. Keep the device away from naked flames.



NOTICE!

Operating conditions

This device has been designed for indoor use only. To prevent damage, never expose the device to any liquid or moisture. Avoid direct sunlight, heavy dirt, and strong vibrations.



NOTICE!

Power supply

Before connecting the device, ensure that the input voltage (AC outlet) matches the voltage rating of the device and that the AC outlet is protected by a residual current circuit breaker. Failure to do so could result in damage to the device and possibly injure the user.

Unplug the device before electrical storms occur and when it is unused for long periods of time to reduce the risk of electric shock or fire.

3 Features

The blinder is particularly suitable for the illumination of areas and specific lighting effects in the auditorium at events, rock concerts as well as in theatres and musicals.

Special features of this device:

- Two rotatable elements with shatter protection for 2×2 DWE illuminants (illuminants not included)
- Double round-tube bracket for secure and solid mounting.
- Cable set included.

4 Installation

Unpack and check carefully there is no transportation damage before using the unit. Keep the equipment packaging. To fully protect the device against vibration, dust and moisture during transportation or storage use the original packaging or your own packaging material suitable for transport or storage, respectively.



WARNING!

Risk of injury caused by falling objects

Make sure that the installation complies with the standards and rules that apply in your country. Always secure the device with a secondary safety attachment, such as a safety cable or a safety chain.



NOTICE!

Risk of overheating

The distance between the light source and the illuminated area must be greater than 0.5 m.

Make sure there is always sufficient ventilation.

The ambient temperature must always be below 40 °C

Never operate the unit for more than 15 minutes continuously and stick to appropriate cool-down times.

5 Wiring



DANGER!

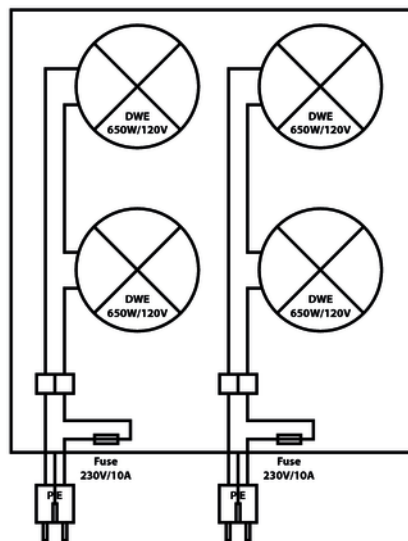
Risk of electrical shock

The wiring and replacement of the lamps, and all maintenance and repair work on the electrical installation of the device may only be carried out by qualified electricians. Failure to do so may result in electric shock and risk of fire and death.

Before starting work on the electrical installation, the device must be unplugged from the power grid.

- Remove the shatter protection grilles of the illuminant elements (4 × 2 knurled-head screws with locking spring).
- Remove the cable compartment cover on the rear panel of the unit (six tapping screws).
- Run the cables provided through the two holes inside the housing.
- Wire the Illuminants according to the following diagram.
- Finally, assemble the cable cover on the rear panel of the unit and the shatter protection grilles of the illuminant elements.

Schematic for four lamps



6 Starting up

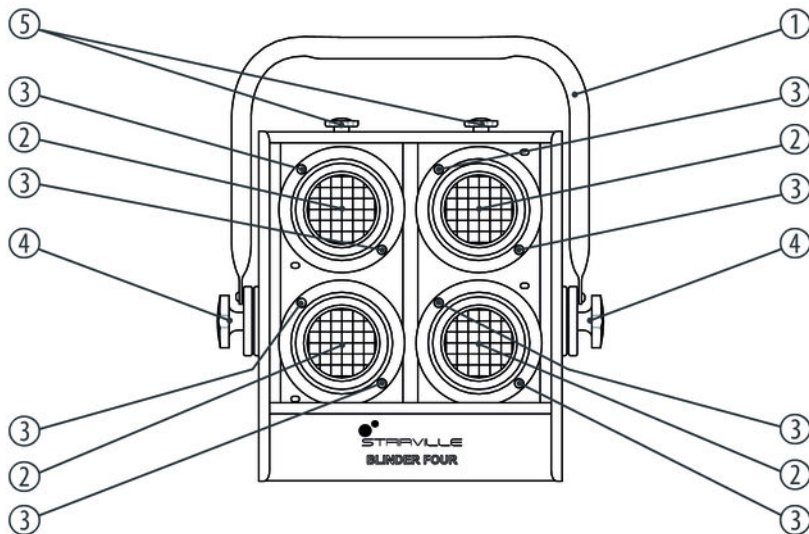
Make sure that the unit is properly installed and wired. Fix the lamp holders in the desired position using the hand screws. Connect the power cable to a grounded outlet to start up the unit.

**NOTICE!****Risk of overheating**

Never operate the unit for more than 15 minutes continuously and stick to appropriate cool-down times.

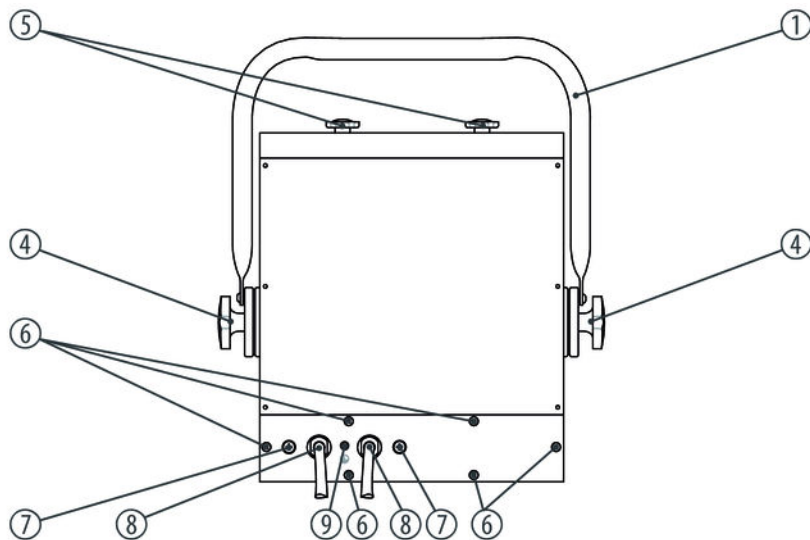
7 Connections and operating elements

Front panel



1	Round-tube bracket.
2	Shatter protection.
3	Knurled-head screws for fixing the shatter protection.
4	Handscrews for fixing the round-tube bracket.
5	Handscrews for positioning of the rotatable elements.

Rear panel



1	Round-tube bracket.
4	Handscrews for fixing the round-tube bracket.
5	Handscrews for positioning of the rotatable elements.
6	Retaining screws of the cable compartment cover.
7	Fuse holder.
8	Power supply cable.
9	Ground connection.

8 Cleaning

Clean the unit only with a soft, dry cloth. More stubborn stains can be cleaned with a slightly damp cloth. Never use cleaners such as alcohol or thinner.

9 Technical specifications

Illuminant	4 × PAR 36 DWE, 120 V/650 W maximum, screw connector
Operating supply voltage	AC 230 V ~ , 50 Hz
Fuse	2 × 250 V, 10 A
Dimensions (W × D × H)	455 mm × 115 mm × 533 mm
Weight	5.2 kg, without illuminant

10 Protecting the environment

Disposal of the packaging material



For the transport and protective packaging, environmentally friendly materials have been chosen that can be supplied to normal recycling.

Ensure that plastic bags, packaging, etc. are properly disposed of.

Do not just dispose of these materials with your normal household waste, but make sure that they are collected for recycling. Please follow the notes and markings on the packaging.

Disposal of your old device



This device is subject to the European directive 2002/96/EC.

Do not dispose of the device with your normal household waste.

Dispose of this device through an approved waste disposal firm or through your local waste facility. When discarding the device, comply with the rules and regulations that apply in your country. If in doubt, consult your local waste disposal facility.



